

Pure

Presenting a line of status indicators that covers all the bases.

brilliance.



UniStat™

LiteStak™

**MicroStat™
Status Indicators**

DeviceNet® MicroStat™



FEDERAL SIGNAL CORPORATION

The Signal Is Clear™

Tough enough to handle the most demanding industrial environments.

Flexible enough to meet virtually any machine automation or process control application.

LiteStak® is the original full-size modular status indicator that continues to prove its value at thousands of facilities across a broad array of machine and process control applications. For rugged on-the-job dependability coupled with productive flexibility, LiteStak is tough to beat. It's just that simple. The LiteStak column is comprised of individual light modules. Each module is made up of two impact-resistant polycarbonate lens halves that conveniently snap apart and together. The end result: fast, easy maintenance...plus interchangeability of lens colors that couldn't be any simpler.

LiteStak puts the spotlight on modular flexibility.

Modular construction enables you to custom design each LiteStak to the exact application at hand. Up to five light modules can be "stacked" in any color sequence, and then configured in either flash or steady-burn mode. Your LiteStak can even be equipped with one of several optional sound modules to provide audible signaling. Additionally, the LiteStak base can be either surface mounted or installed on a 3/4-inch NPT pipe-mount. How's that for flexibility?

Additional LiteStak benefits:

- UL & cUL listed, CSA approved (CE approved for 24VDC only); NEMA 1 rated.
- Choice of a micro-processor based module that sounds one of 18 user selectable tones, or a single-tone piezoelectric sound module.

LITESTAK OPTIONS



Blackout Lens
Blackout lenses substitute for colored lenses, obscuring one half of an indicator when required.

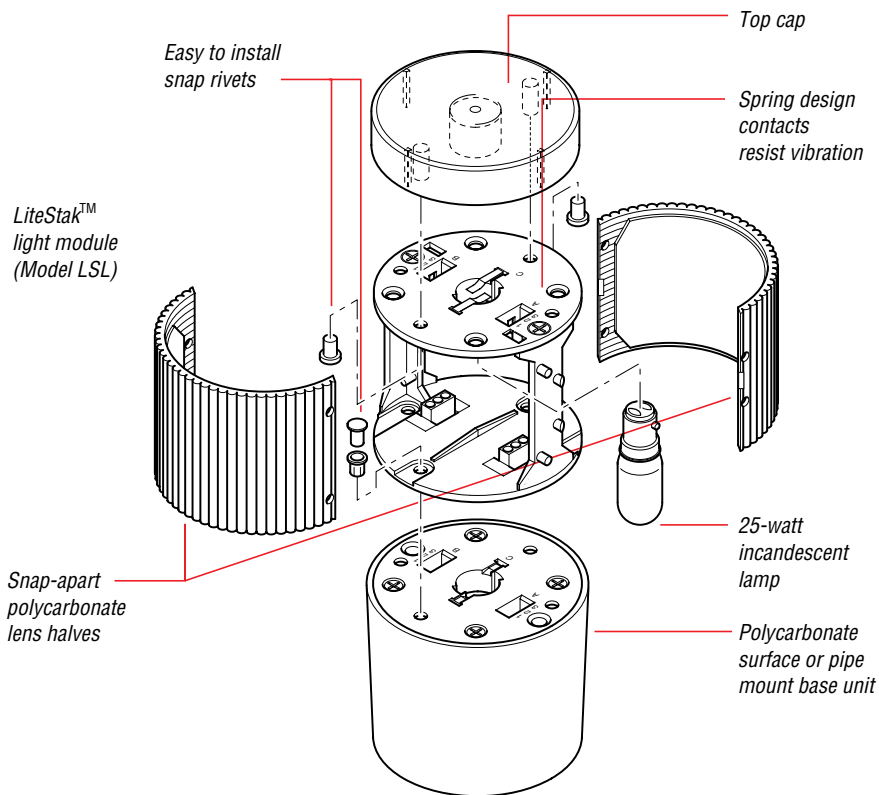


Piezoelectric Horn
Single-tone piezoelectric sound module provides audible signaling. Option produces from 69 to 73 dB @ 10 ft. 79 to 83 dB @ 1 meter.



LED Lamp
Available in amber, blue, clear, green and red, 100,000-hour LED lamps offer extended service life, and accommodate heavy-duty, high-vibration applications.





- Standard unit is equipped with a rugged 25-watt incandescent lamp; lifetime guaranteed 100,000-hour LED lamps are also available.
- Operating temperature ranges from -32 to 120°F (-36 to 49°C).
- Operating voltages: 24 VDC, 120 VAC, 240 VAC
- Lens colors: amber, blue, clear, green, red.

When status indication is critical, quality & performance are essential

Reliable operation under the most demanding conditions. Extended service life with a minimum of maintenance. A full range of options and industry-wide approval. The LiteStak; the full-size, heavyweight status indicator that puts performance, dependability and quality in a whole new light.



Sound Module
18-tone sound module provides a combination of audible and visual signaling in applications where enhanced attention-getting power is desired.



Low Profile Surface Mount Base
Easy-to-install mounting option simplifies surface-mount applications.

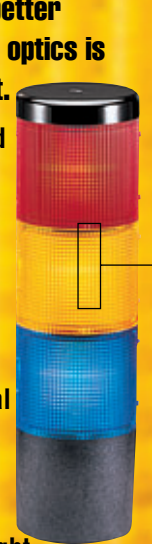
Let's make one thing perfectly clear: In status indication, no one outperforms Federal Signal.

As the world's largest prime manufacturer of a full spectrum of visual and audible signaling devices, Federal Signal is universally recognized as the industry beacon for new product development.

Federal Signal is the force behind a number of innovations targeted at automated production and processing environments. From state of the art surface mounted printed circuit board construction, to the use of space-saving, full-color LED arrays, Federal Signal has always stood at the point of attack in developing the next level of status signaling technology.

When you're designing a better status indicator, superior optics is an excellent place to start.

When it comes to advanced optics technology, Federal Signal status indicators have a reputation for consistently outshining the competition. Unlike conventional units, the lens fluting on all Federal Signal status indicators runs both vertically and horizontally. This unique "cross-hatch" design fills the lens with light, promoting the kind of full-face, high-efficiency, 360° dispersion that leaves other status indicators in the dark. Improved optics...another important reason why Federal Signal is the performance leader and the recognized authority in reliable, high-quality products for cost-effective status indication.



Compact design and sleek styling

Every status indicator should look this good.

From process control and material utilization applications, to ensuring worker safety, compact MicroStat status indicators are designed to provide the highest levels of reliable performance and quality. MicroStat features a neutral color housing with sleek contours, as well as a small footprint (2.2-inch diameter) that compliments the contemporary cabinetry, panels and controls of today's OEM equipment and systems. Like all Federal Signal status indicators, MicroStat lenses feature Federal Signal's exclusive crosshatch design that results in brilliant, full-face illumination. Another MicroStat performance feature is the universal, heavy-duty 5.6-watt, thick-filament, wedge-style lamp rated for 7,000 hours of trouble-free service. Commonly used for outdoor signage, these energy-saving bulbs are readily available from a variety of manufacturers at an economical cost.

DeviceNet® MicroStat™ ...presenting the simplest way to link up with the industry's most popular communications protocol.

This special MicroStat model includes all the necessary circuitry for today's sophisticated DeviceNet buss/automated environments. While on the buss, each MicroStat has its own address, enabling the system to independently control individual light and audio modules within the device. The DeviceNet MicroStat offers three different flashing light patterns, and even notifies the system in the event of a lamp failure.



MICROSTAT OPTIONS



Pipe Extensions
To increase visibility throughout your facility, MicroStat can be raised 4", 16", or 31.5" above your equipment.



Tulip Base
For surface mounting with pipe extensions, a tulip base is offered to provide a finished look to your installation.



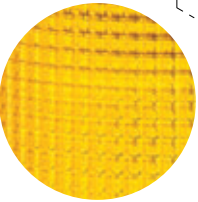
LED Lamp
For heavy-duty applications, 100,000 hour LED lamps are available in amber, blue, green, red and super bright green.



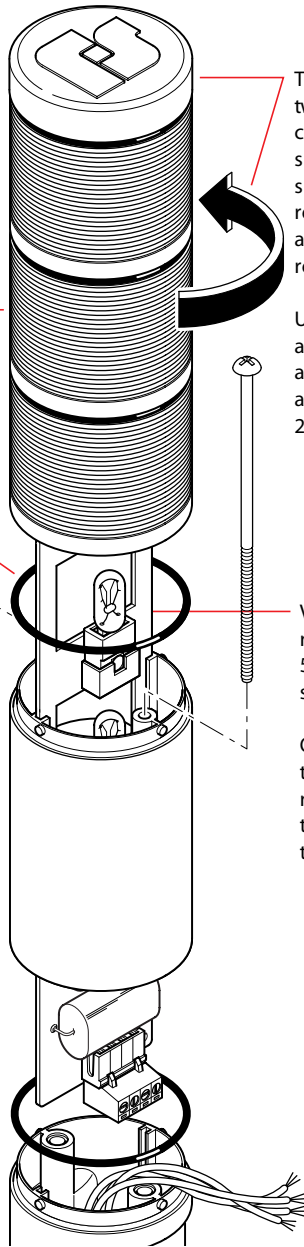
Style and function in one pre-assembled, easy-to-install package.

Five different lenses for maximum flexibility

Gasketed design complies with NEMA 4X requirements, and is dust and water tight



Units can be configured for 1,2,3,4 and 5 color high applications; 3 and 4-color orders include all 5 lenses for maximum flexibility.

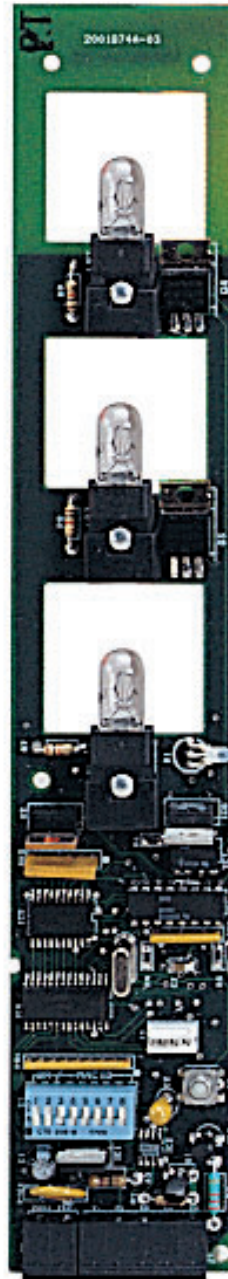


Tool-free, twist and lock construction speeds and simplifies bulb replacement and lens resequeing.

UL & cUL listed and CSA approved (CE-approved for 24VAC/DC only).

Vibration-resistant 5.6 watt lamp standard

Operating temperature range of -32 to 120°F (-36 to 49°C).



Replacing wires with a PC board. What a bright idea! MicroStat's exclusive printed circuit board is designed to provide added protection against vibration. The unique cut-outs for the bulbs promote optimum light dispersion, while limiting heat build-up and retention. And as you might expect, MicroStat is compatible with triac and PLC applications.



Sound Modules
Audible signaling can be added simply by removing one of the lamps and replacing it with one of our piezoelectric sound modules. Available from 69-73 dB @ 10 ft. (79-83 dB @ 1m).



Flasher
To further customize your status indicator, any of the light modules can be wired to flash with the addition of this unit.

When the market calls for something entirely different, it takes a company with a reputation for coming up with ideas that are totally new.

First there was LiteStak. Then came the compact MicroStat and DeviceNet MicroStat followed by the four-color LED UniStat—the next logical steps in status monitoring technology. Count on Federal Signal to remain on the leading edge...and always looking forward to the next innovation in visual/audible signaling.

The MicroStat module featuring integrated circuitry for the DeviceNet communications protocol is among the most recent examples of Federal Signal's response to the demand created by ever-increasing levels of factory automation.

Even after 100 years in business, on-going investment in R&D remains as important as ever.

The signal really is clear. Federal Signal is committed to reinforcing its position as the signaling authority – from continually expanding its product lines, to on-going investment in people, research and development, tooling, production facilities, and quality processes that include ISO 9001 Certification. Federal Signal is your best source for the signaling devices of today...as well as tomorrow.

Four colors through a single lens

Signaling technology never looked better.

One look at UniStat's shorter, high-tech profile tells you status signaling has entered a bold new era. In terms of dependable performance, space savings and simplified installation, you might say that the future never looked brighter. Thanks to its unique LED array, UniStat is capable of displaying either three colors (amber, green and red) or four colors (amber, blue, green, and red) through one lens. And like the lenses in all other Federal Signal status indicators, UniStat employs the same superior optics technology that delivers full-face, 360° dispersion.

A unique strobe feature puts this status indicator in a class by itself.

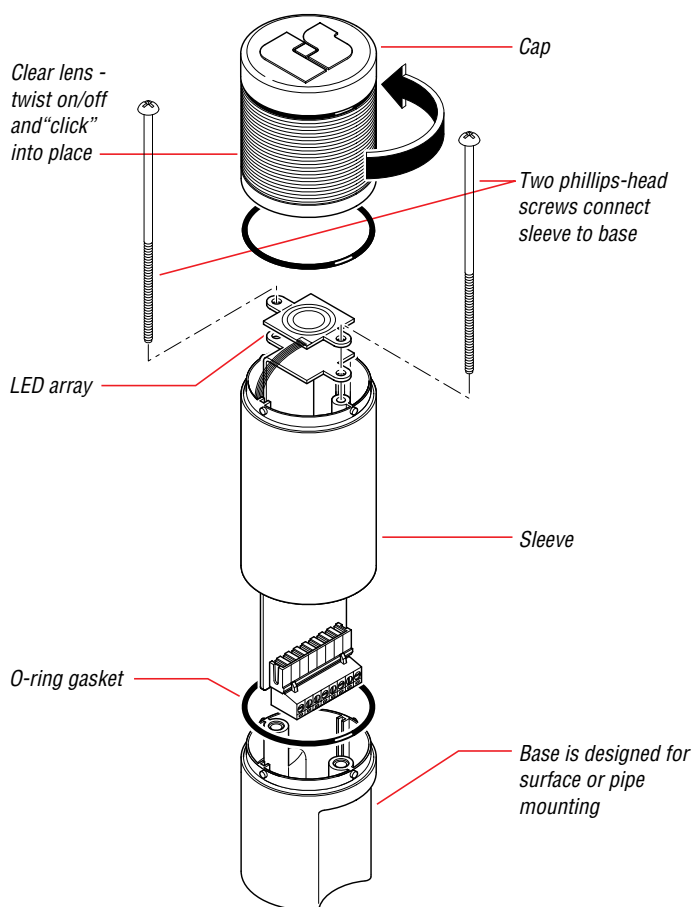
UniStat provides 16 different steady-burning and flashing light patterns, including the exclusive SimuStrobe™ simulated strobe light. SimuStrobe offers the attention-getting flash rate of a strobe light, but with a more color-rich output.

So, with its full range of flash pattern options and its superior signaling ability, the UniStat is ideally suited for automated factory environments, making it the "smart" choice for today's highly sophisticated on-line production and processing systems.

There's clearly a lot to like about UniStat.

- Vibration-resistant LED light source is rated for 100,000 hours of service.
- Choice of tri-color or quad-color models.
- NEMA Type 4X IP 65 enclosure.
- Available in 24VAC/DC and 120VAC versions.
- UL listed and CSA approved (CE approved for 24VAC/DC only).
- Pre-assembled units are delivered ready for either surface mount or integrated 3/4" pipe mount.
- Other options include: 4", 16" and 31.5" pipe mount extensions, wall-mount bracket and tulip base.





Leading Edge Device™

The signal is clear. LED technology is powering many leading edge signaling devices. At Federal Signal, we partner with the leading diode manufacturers to identify promising signaling technologies and then to bring them to market as innovative, effective products... always remaining way out in front of the competition.

UNISTAT OPTIONS



Pipe Extensions

To increase visibility throughout your facility, MicroStat can be raised 4", 16", or 31.5" above your equipment.



Tulip Base

For surface mounting with pipe extensions a tulip base is offered to provide a finished look to your installation.



Wall Mounting Bracket

For against-the-wall applications, the bracket is designed for quick and easy installation.

From initial product design and component selection, right through to production and assembly...Federal Signal is in total control.

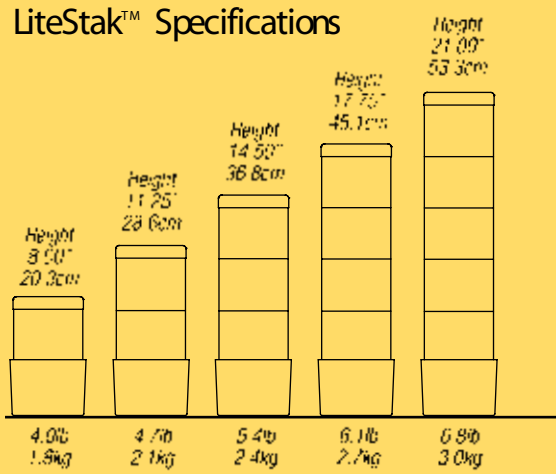
Federal Signal has built a solid reputation as a prime manufacturer of the industry's broadest line of audible and visual signaling products. From new product research and design, to raw material and sub-assembly selection, to final production and assembly, Federal Signal maintains a "hands-on" approach. Think about it: Is there a better way to ensure maximum product performance and quality?

Federal Signal's in-house staff of engineers and technicians stand ready to provide a comprehensive menu of technical and customer support services. The goal is nothing less than making sure that added value is the central component of every signaling product that carries the Federal Signal name.

A dedicated force of distributors keeps the focus on customer satisfaction.

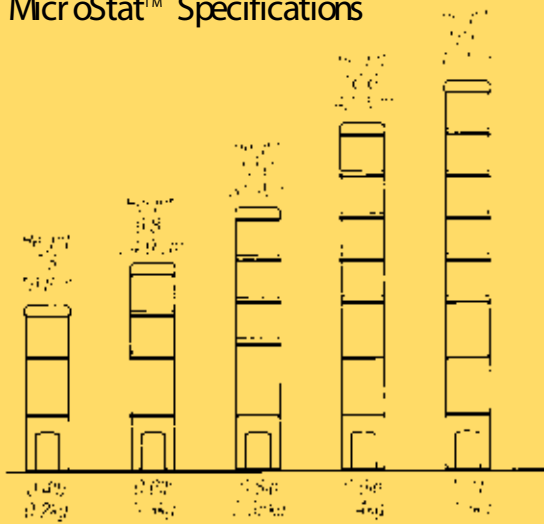
Federal Signal's network of authorized distributors has the technical training and experience to make sure precisely the right status indicator is specified for your needs. Whether your application is a new or existing manufacturing operation or a piece of OEM equipment, count on Federal Signal as the signaling partner that can make the productive and profitable difference.

LiteStak™ Specifications



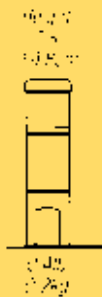
Lamp Style	Incandescent or LED
Lamp Life	7,000 Hour incandescent or 100,000 hours LED
Operating Temperature	-32°F to 120°F (-36°C to 49°C)
Voltage	24VDC, 120VAC, 240VAC with Incandescent Lamps, 24VDC, 120VAC with LED lamps
Hz	50/60 Hz
Current Draw per Lamp	0.50 Amps in 24VDC and 0.20 Amps in 120VAC with Incandescent Lamp 0.20 Amps in 24VDC and 0.04 Amps in 120VAC with LED lamp
Mounting	3/4" NPT Pipe or Surface Mount
Diameter	3.93" (9.98 cm)
Ratings	UL, cUL, CSA, NEMA 1, IP41

MicroStat™ Specifications



Lamp Style	#655 Standard Wedge
Lamp Life	7,000 Hours
Operating Temperature	-32°F to 120°F (-36°C to 49°C)
Voltage	24VAC/VDC, 120VAC, 240VAC
Hz	50/60 Hz
Current Draw per Lamp	0.20 Amps
Mounting	Integrated 3/4" NPT Pipe and Surface Mount, Optional Wall Mount Bracket or Tulip Pipe Base
Diameter	2.2" (5.6 cm)
Ratings	UL, cUL, CSA, CE (24VDC only), NEMA 4X, IP65

UniStat™ Specifications



Lamp Style	LED Array
Lamp Life	100,000 Hours
Operating Temperature	-32°F to 120°F (-36°C to 49°C)
Voltage	24VAC/VDC, 120VAC
Hz	50/60 Hz
Current Draw	0.20 Amps in 24VAC/VDC and 0.15 Amps in 120VAC
Mounting	Integrated 3/4" NPT Pipe and Surface Mount, Optional Wall Mount Bracket or Tulip Pipe Base
Diameter	2.2" (5.6 cm)
Ratings	UL, CSA, CE (24VAC/VDC), NEMA 4X, IP65

For quality and value in products and support... **The Signal Is Clear™**... Federal Signal is the signaling authority



2645 Federal Signal Drive
University Park, IL 60466-4852
Tel: 708.534.4756 Fax: 708.534.4852
www.federal-signal-indust.com

For more detailed product information,
please call a Federal Signal Customer
Service Representative at 708.534.4852